

PTC[®] CREO[®] ESSENTIALS PACKAGES

Powerful 3D CAD solutions optimized for your product development tasks

Product design firms and manufacturing companies are under constant pressure to develop more products in less time, without sacrificing innovation or quality.

The right set of 3D CAD capabilities for your current and future needs

PTC's 3D product design solution, PTC Creo, provides engineers with the right tools to achieve the highest quality designs in the fastest possible time.

PTC delivers the most scalable range of 3D CAD product development packages on the market today. Available exclusively through PTC partners, the PTC Creo Essentials

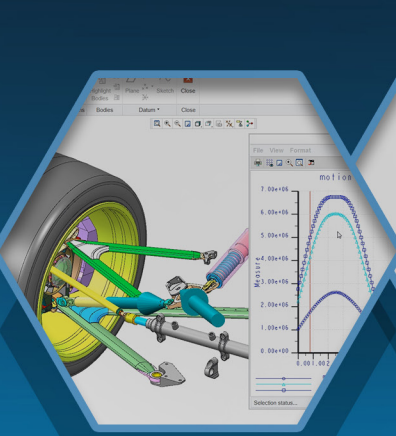
Packages are easy to use, competitively priced and always upgradeable—to meet the varied needs of your specific engineering design tasks and business requirements as you grow.

No matter which package you choose, users will be able to take advantage of a powerful, intuitive, and comprehensive set of 3D CAD capabilities.

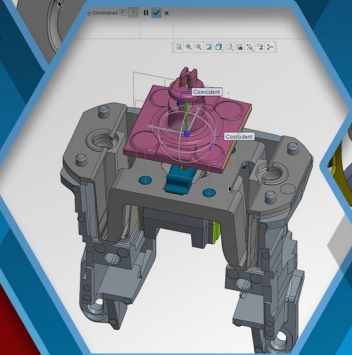
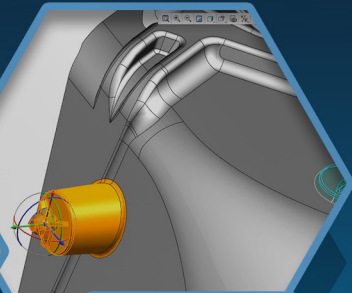
And since it is an integral part of PTC's Product Development System, your 3D CAD solution will seamlessly connect to PTC's other industry-leading solutions, including PTC Windchill[®] for product data/product lifecycle management (PDM/PLM) and PTC Mathcad[®] for engineering calculations.

Direct Modeling (Flexible Modeling)

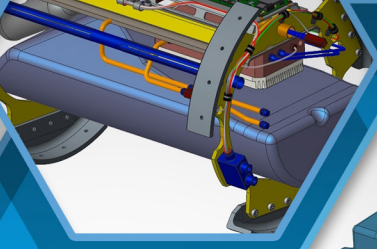
Product Data Management



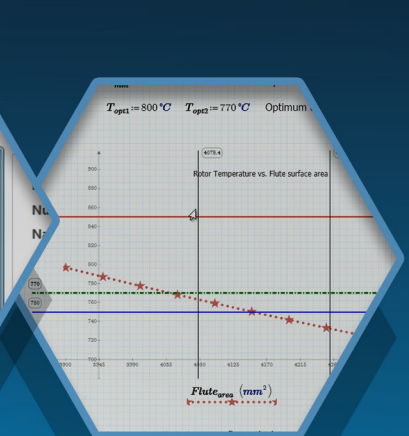
Motion Analysis



3D Part & Assembly Design



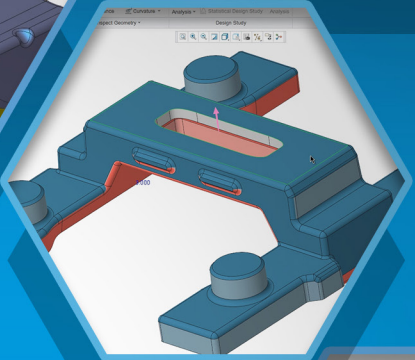
Piping & Cabling Design



PTC Mathcad



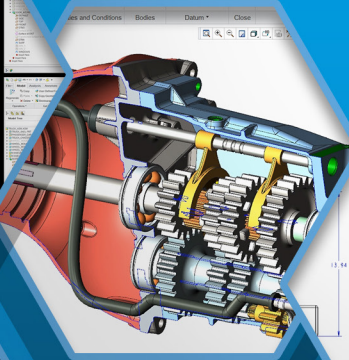
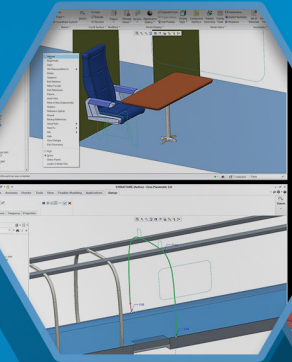
Realistic Rendering



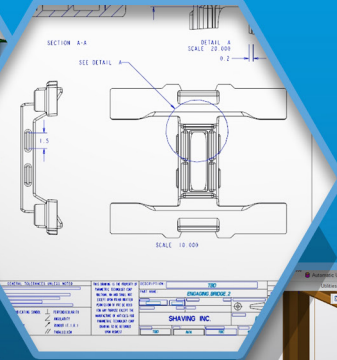
Plastic Part Design

PTC® Creo® Essentials Packages

Concurrent Engineering Capabilities

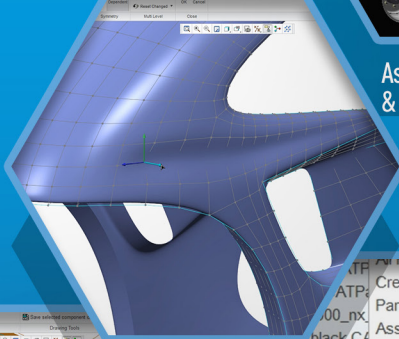


Mechanism Design

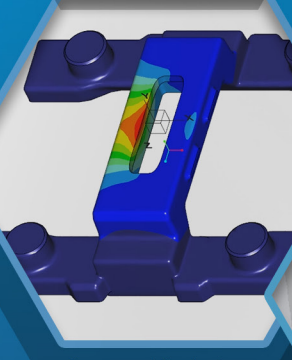


Automated 2D Drawing Creation

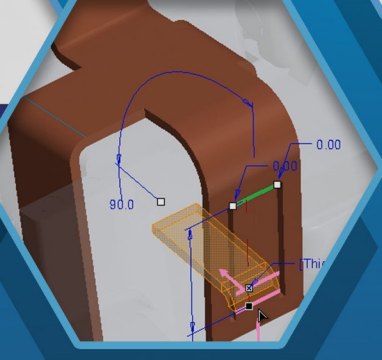
Parametric & Freestyle Surfacing



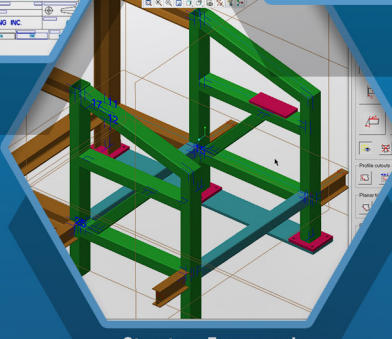
Assembly Management & Performance Tools



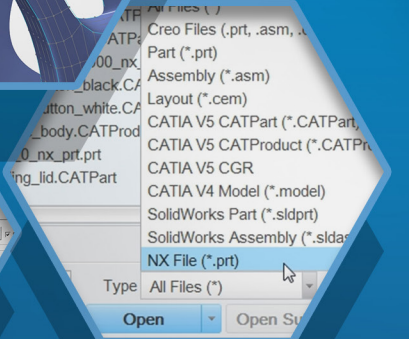
Structural Analysis



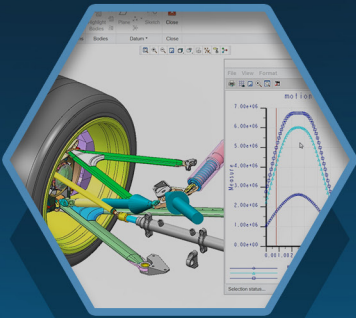
Sheetmetal Design



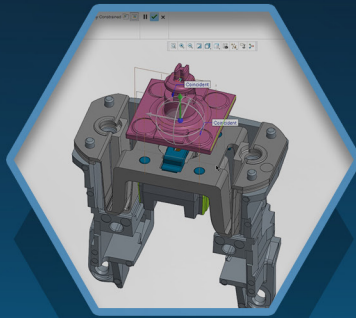
Structure Framework & Weld Design



Breakthrough Multi-CAD Data Exchange (Unite)



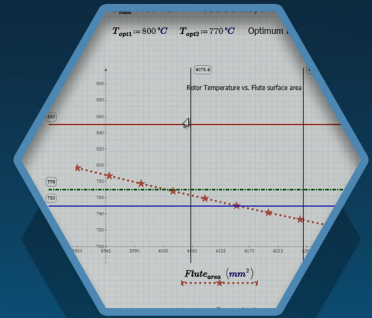
Motion Analysis



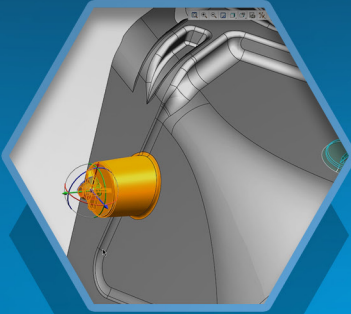
3D Part & Assembly Design



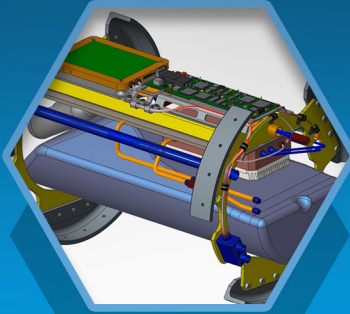
Product Data Management



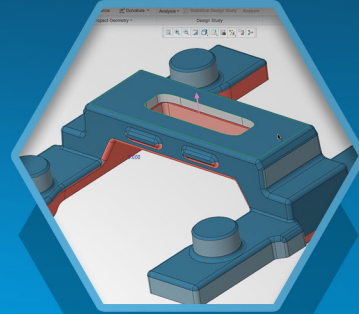
PTC Mathcad



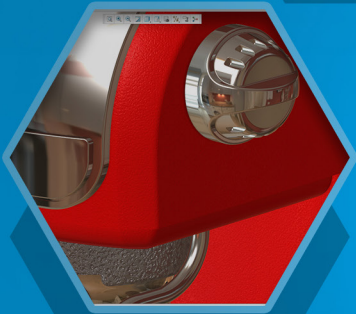
Direct Modeling (Flexible Modeling)



Piping & Cabling Design



Plastic Part Design

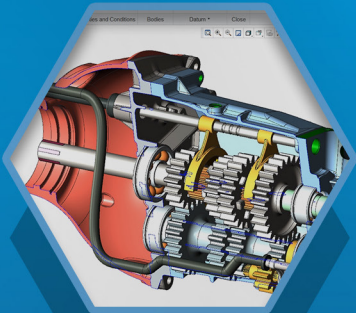


Realistic Rendering

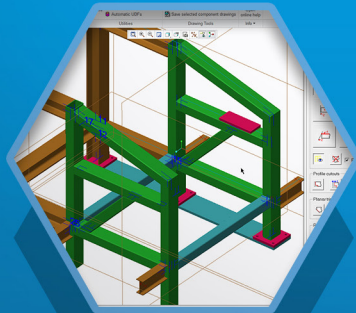
PTC® Creo® Essentials Packages



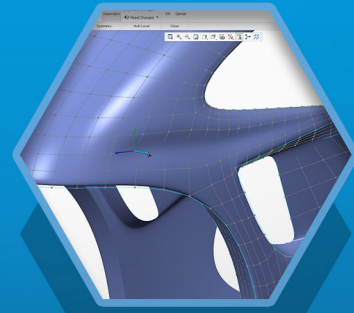
Assembly Management & Performance Tools



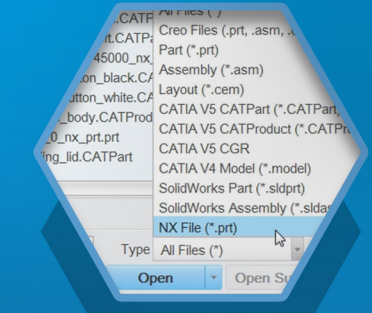
Mechanism Design



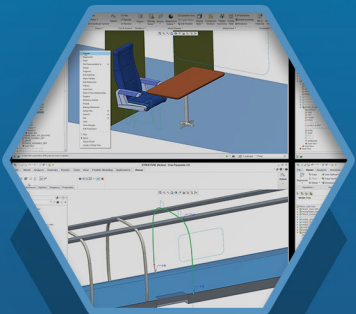
Structure Framework & Weld Design



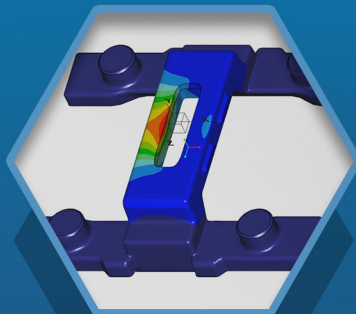
Parametric & Freestyle Surfacing



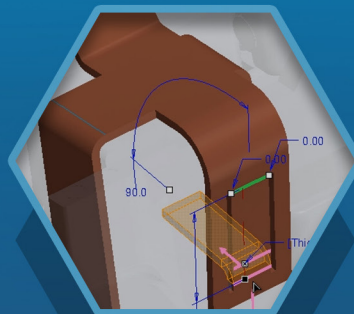
Breakthrough Multi-CAD Data Exchange (Unite)



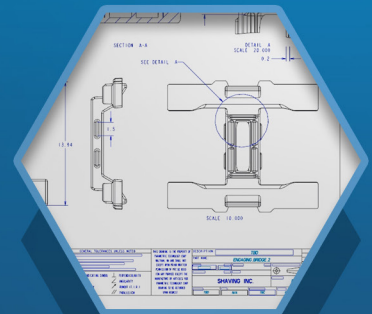
Concurrent Engineering Capabilities



Structural Analysis



Sheetmetal Design



Automated 2D Drawing Creation

PTC Creo Essentials Packages - At a Glance

PTC Creo Essentials packages are available in the following: PTC Creo Essentials, PTC Creo Essentials Plus, PTC Creo Essential Premium, and PTC Creo Essentials Team Edition.

